

Table of Contents

1. Precautions	2
2. VESA mounting installation	3
2-1. 15" LCD Monitor VESA Mounting	3
2-2. 17"/19" LCD Monitor VESA Mounting	4
3. FCC Statement	5
4. WEEE Statement	6
5. Japan RoHS Declaration	8
6. Introduction	9
7. Monitor Controls	10
7-1. Key Function	10
7-2. Quick Adjustment Function	10
7-3. Display Angle	11
7-4. Stand setting up	11
7-5. I/O Port	12
7-6. OSD Control options	12
8. Screen Adjustment	13
9. Touch installation	15
10. Power Management	16
11. Trouble shooting	17
12. Display Modes	18
13. Specification	19

1. Precautions

- Read all of these instructions and save them for later use.
- Follow all warnings and instructions on the product.
- Product
 - Do not cover or block the vent holes in the case.
 - Do not insert sharp objects or spill liquid into the LCD monitor through cabinet slots. They may cause accident fire, electric shock or failure.
 - Disconnect the power plug from the AC outlet if you will not use it for an indefinite period of time.
 - Do not attempt to service this product yourself, as opening or removing covers may expose you to dangerous voltage points or other risks.
 - Do not apply pressure to the screen. The LCD is very delicate.
 - Do not touch the LCD panel or Touch Screen surface with sharp or hard objects.
- Power Adapter
 - Use the type of power indicated on the marking label. Marked with "LPS (Limited Power Source)" Power Adapter.
- Plugs
 - Do not remove any of the prongs of the monitor's three-pronged power plug.
 - Disconnect the power plug from the AC outlet under following conditions:
 - ◆ If you will not use it for an indefinite period time.
 - ◆ When the power cord or plug is damaged or frayed.
 - ◆ If the product does not operate normally when the operating instructions are followed. Adjust only those controls that are covered by the operating instructions. Improper adjustment of other controls may result in damage and will often require extensive work by a qualified technician to restore the product to normal operation.
 - ◆ If the product has been dropped or the cabinet has been damaged.
 - ◆ If the product exhibits a distinct change in performance, indicating a need for service.
- Power and extension cords
 - Do not allow anything to rest on the power cord.
 - Do not locate this product where persons will walk on the cord.
 - Use the proper power cord with correct attachment plug type. If the power source is 120 V AC, use a power cord that has UL and C-UL approvals. If the power source is a 240 V AC supply, use the tandem (T blade) type attachment plug with ground conductor power cord that meets the respective European country's safety regulations, such as VDE for Germany.
 - Do not overload wall outlets or power cords. Ensure that the total of all units plugged into the wall outlet does not exceed 10 amperes.
 - Ensure that the total ampere ratings on all units plugged into the extension cord is not above the cord's rating.
 - If the power supply cord, which came with your monitor, is to be connected to the PC instead of the wall outlet, this equipment is to be used with UL/TÜV approved computers with receptacle rated 240V AC, and 2.0A (minimum).
- Environment
 - Place the monitor on a flat and leveled surface.
 - Place the monitor in a well-ventilated place.
 - Keep the monitor away from: overly hot, cold or humid places, places directly under sunlight, dusty surroundings, equipment that generate strong magnetic fields.
 - Not suitable for use in the presence of a flammable substance.
 - To prevent fire or shock hazard, never expose the monitor to rain or moisture.

2. VESA mounting installation

2-1. 15" LCD Monitor VESA Mounting

Fix UL listed wall mount bracket on the back of the monitor with screws, the specification of screw (ref. image 1) , to prevent electric damage to ensure user's safety. The dimension of interface pad of wall mount bracket has to follow VESA standard (ref. Image 2)

Installation: Please aim UL listed wall mount bracket at the 4 screw holes on the back of monitor and screw tightly (ref. Image 3) .

Please refer to user's manual of UL listed wall mount bracket for wall mount installation.

SCREW M4L8 ,EGW,PAN(+),NI

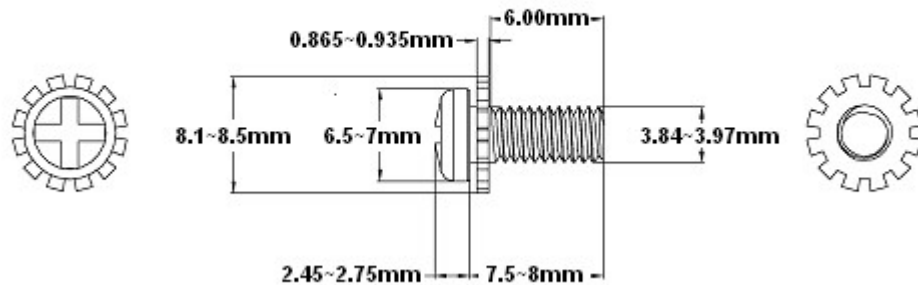
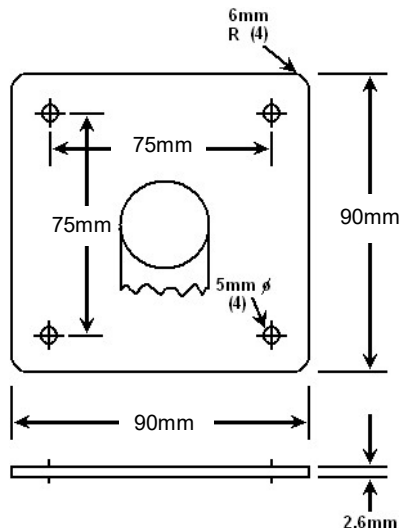


Image 1



VESA[®] Standard Interface Pad Configurations

Image 2

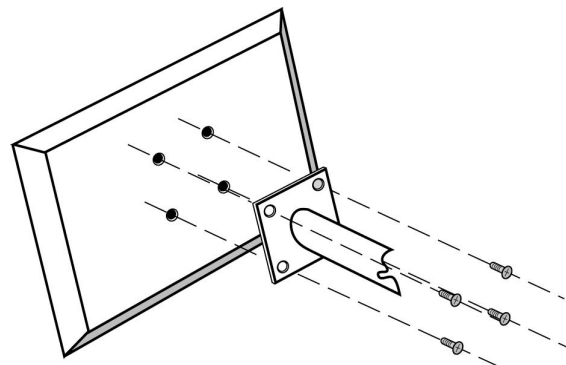


Image 3

2-2. 17" / 19" LCD Monitor VESA Mounting

Fix UL listed wall mount bracket on the back of the monitor with screws, the specification of screw (ref. image 1) , to prevent electric damage to ensure user's safety. The dimension of interface pad of wall mount bracket has to follow VESA standard (ref. Image 2)

Installation: Please aim UL listed wall mount bracket at the 4 screw holes on the back of monitor and screw tightly (ref. Image 3) .

Please refer to user's manual of UL listed wall mount bracket for wall mount installation.

SCREW M4L10,EGW,PAN(+),NI

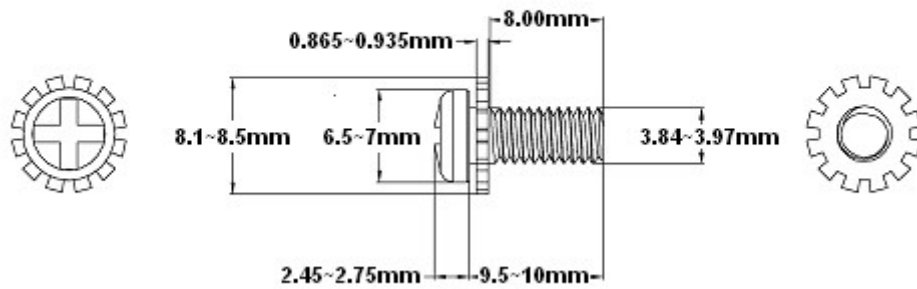
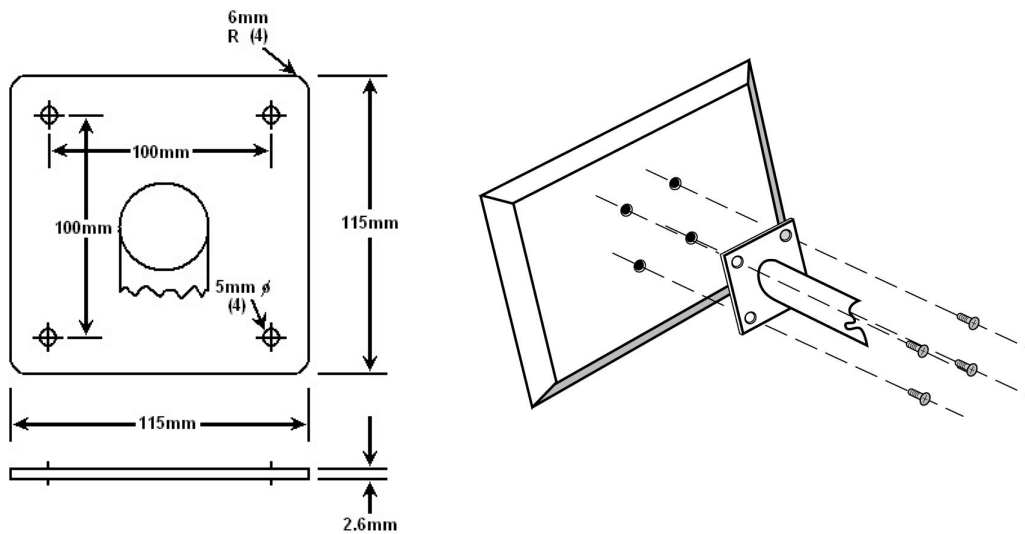


Image 1



VESA® Standard Interface Pad Configurations

Image 2

Image 3

3. Federal Communication Commission Radio Frequency International Statement

This equipment has been tested and found to comply with the limits for a Class B digital device, pursuant to Part 15 of the FCC Rules. These limits are designed to provide reasonable protection against harmful interference in a residential installation. This equipment generates, uses and can radiate radio frequency energy and, if not installed and used in accordance with the instructions, may cause harmful interference to radio communications. However, there is no guarantee that interference will not occur in a particular installation. If this equipment does cause harmful interference to radio or television reception, which can be determined by turning the equipment off and on, the user is encouraged to try to correct the interference by one or more the following measures:

- Reorient / Relocate the receiving antenna.
- Increase the separation between the equipment and receiver.
- Connect the equipment into an outlet on a circuit different from that to which the receiver is connected.
- Consult the dealer or an experienced radio/TV technician for help.

This device complies with Part 15 of the FCC Rules. Operation is subject to the following two conditions: (1) This device may cause harmful interference, and (2) this device must accept any interference received, including interference that may cause undesired operation.

Notice:

The use of non-shielded interface with this equipment is prohibited.

If necessary, the user should consult the dealer or an experienced radio / television technician for additional suggestions. The user may find the following booklet prepared by the Federal Communications Commission helpful. This booklet is available from the U.S. Government Printing Office Washington DC, 20402, Stock No. 004-000-00345-4.

The manufacture is not responsible for any radio or TV interference caused by unauthorized modification of this equipment. It is the responsibility of the user to correct such interference.

Caution: To meet FCC limits for a Class B computing device, a shielded signal cable should be used.

Canadian Department Of Communications Compliance Statement

This equipment does not exceed Class B limits per radio noise emissions for a digital apparatus, set out in the Radio Interference Regulation of the Canadian Department of Communications. Operation in a residential area may cause unacceptable interference to radio and TV reception requiring the owner or operator to take whatever steps necessary to correct the interference.

Département Canadien des Communications

Rapport De Conformité

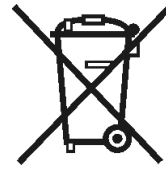
Cet équipement ne dépasse pas les limites de classe B pour des émissions de bruit radio pour des appareils numériques comme présenté au règlement d'interférence radio du département canadien des communications. L'utilisation dans une zone résidentielle risque de générer des interférences inacceptables à la réception radio et TV, auquel cas l'utilisateur se verrait dans l'obligation de prendre toutes mesures nécessaires pour corriger les interférences.

4. WEEE Statement

Important Information for Recycling

This warning sign of trash bin indicates that the objects are not allowed to be disposed as general refuse. Please follow the local Act and carry out further disposal with refuse recycling and collecting system in your Country or District. For more information on recycling, please contact locally authorized recycling centre or place of purchase.

Your recycling behaviour will bring better future for the Earth and create living environment with excellent quality for the descendant.



Informations importantes relatives au recyclage

Cet avertissement sur un récipient à ordures indique qu'il est interdit d'y déverser des ordures ménagères. Veuillez à l'avenir respecter les réglementations locales et rester en conformité avec le système de collecte et de recyclage des ordures de votre circonscription ou district. Pour plus d'informations sur le recyclage, veuillez contacter votre centre de recyclage agréé local ou le lieu d'achat.

Votre attitude quant au recyclage améliorera l'avenir de la planète et créera un environnement de vie de qualité pour les générations futures.

Wichtige Hinweise zum Recycling

Dieses Mülleimer-Warnsymbol gibt an, dass die Objekte nicht mit dem regulären Hausmüll entsorgt werden dürfen. Bitte halten Sie sich an die örtlichen Bestimmungen und entsorgen Sie die Objekte über Recycling- und Sammelstellen in Ihrer Nähe. Detaillierte Informationen zum Recycling erhalten Sie von Ihrer örtlichen, offiziellen Recycling-Sammelstelle oder beim Händler, bei dem Sie die Objekte erworben haben.

Ihre Mitarbeit trägt dazu bei, unsere Umwelt zu schützen und sorgt dafür, dass unsere Erde auch für nachfolgende Generationen ein Ort bleibt, an dem es sich zu leben lohnt.

Información importante de reciclado

Este letrero de aviso de cubo de basura indica que los objetos no pueden desecharse como residuos generales. Cumpla la normativa local y realice la eliminación según el sistema de reciclado y recogida de su país o región. Para obtener más información sobre el reciclado, póngase en contacto con su centro de reciclado autorizado local o su lugar de compra.

Su conducta de reciclado supondrá un mejor futuro para la Tierra y crea un entorno de vida de calidad para las futuras generaciones.

Informazioni importanti sul riciclaggio

Questo simbolo del bidone dell'immondizia sta ad indicare che è vietato smaltire il prodotto insieme ai rifiuti domestici generici. Attenersi alle normative ed alle procedure di raccolta e riciclaggio dei rifiuti speciali in vigore nella propria città o regione. Per altre informazioni sul riciclaggio, mettersi in contatto con i centri autorizzati di raccolta e riciclaggio, oppure con negozio dove è stato fatto l'acquisto.

Le vostre azioni garantiranno il miglioramento futuro della Terra e creeranno un ambiente ed una qualità di vita che tutti preferiscono sia per sé sia per le generazioni future.

Důležité informace pro recyklaci

Tato značka na kontejneru znamená, že do něj není dovoleno vhadzovat určité předměty. Dodržujte prosím místní předpisy a likvidujte odpad podle systému recyklace a sběru odpadu ve vaší zemi nebo okresu. Pro další informace o recyklaci kontaktujte místní recyklační středisko nebo místo nákupu výrobku.

Svým postojem k recyklaci přispějete k lepší budoucnosti na Zemi a ke kvalitnějším životním podmínkám pro budoucí generace.

Ważna informacja dotycząca recyklingu

Symbol przedstawiający pojemnik na odpadki informuje, że oznaczone nim obiekty nie mogą być usuwane razem z ogólnymi odpadami. Należy stosować się do lokalnego prawa i wykonywać zalecenia dotyczące dalszego przetwarzania takich odpadów poprzez umieszczanie ich punktach gromadzenia odpadów w danym kraju lub okręgu. Dalsze informacje dotyczące recyklingu można uzyskać, po skontaktowaniu się z punktem przetwarzania odpadów autoryzowanym przez władze lokalne lub w miejscu zakupu.

Stosowanie się do zaleceń w sprawie przetwarzania odpadów, przyczyni się do zmniejszenia zanieczyszczenia Ziemi i zachowania czystości środowiska dla przyszłych pokoleń.

Важная информация о переработке отходов

Такое изображение мусорного ящика обозначает, что данный предмет не разрешается выбрасывать вместе с общими отходами. Пожалуйста, придерживайтесь местных законов и выбрасывайте данный предмет в соответствии с системой переработки отходов вашей страны или области. Для более детальной информацией о переработке отходов обращайтесь к местным авторизованным центрам переработки отходов или к продавцу данного изделия.

Ваши действия по утилизации мусора повлияют на лучшее будущее Земли и повысят чистоту окружающей среды для будущих поколений.

回收重要資訊

這個垃圾桶警告標識，表示不能依一般廢棄物處理，請依照當地法律，利用貴國或貴地區的廢品回收及收集系統加以處理，欲取得更多的回收資訊，請聯絡當地授權的回收中心或產品購買地點。

你的回收行為，將為地球帶來更美好的將來，為後代子孫創造更優質的生活環境。

回收重要信息

这个垃圾桶警告标识，表示不能依一般废弃物处理，请依照当地法律，利用贵国或贵地区的废品回收及收集系统加以处理，欲取得更多的回收信息，请联络当地授权的回收中心或产品购买地点。

你的回收行为，将为地球带来更美好的将来，为后代子孙创造更优质的生活环境。

リサイクルに関する重要な情報

このごみ入れの警告標示は、物体を一般廃棄物として廃棄できないことを示しています。地方自治体の規制に従い、居住する国または地域の廃棄物リサイクルおよび収集システムに従って廃棄を実行してください。リサイクルの詳細については、地域の認可されたリサイクルセンターまたは購入店にお問い合わせください。

お客様のリサイクルに対する態度は地球の未来、また後の世代の生活環境の向上をもたらすものとなるはずです。



Green MarkはJ-Mossに合致したと表す(JIS C 0950電気、電子の機械の特定の化学の物質は含有して方法を表す)。

J-Mossの特定の化学の物質の(鉛 水銀、カドミウム、六つの値段クロム PBB、PBDE)、その含有量きわめてになる低い

5. Japan RoHS Declaration

JIS C 0950: 2021 in Japan:



Green MarkはJ-Mossに合致したと表す(JIS C 0950電気、電子の機械の特定の化学物質は含有して方法を表す)。

J-Mossの特定の化学物質の(鉛 水銀, カドミウム, 六つの値段クロム PBB, PBDE), その含有量きわめてになる低い

設備名前 : LCDウォッチドッグ 類型は指定しました : 全部の模型

部 品 名 称	毒がある有害物質あるいは要素でした					
	鉛 (Pb)	水銀 (Hg)	カドミウム (Cd)	六値段 クロム (Cr6 ⁺)	たくさんの臭素のジフェニ ルでした (PBB)	たくさんの臭素のジフェニ ルオキシド (PBDE)
電線のケーブル のモジュール	0	0	0	0	0	0
プラスチック の部品	0	0	0	0	0	0
メタルの部品	0	0	0	0	0	0
電気回路のモ ジュール	X	0	0	0	0	0
液状結晶のデ スク	X	X	0	0	0	0
ぶつかってモ ジュールを訴え た	X	0	0	0	0	0
X: 免除した						
1. 「0」は計算されたこういう物質のパーセントの内容が参考のパーセントの内容を越え たなかったと表明したと気を配りました。 2. が「免除し」たことを注意して計算されたことを表すこういう物質のパーセントは合 致して項目を免除します。						
JIS C 0950						

6. Introduction

◆ **Product Features**

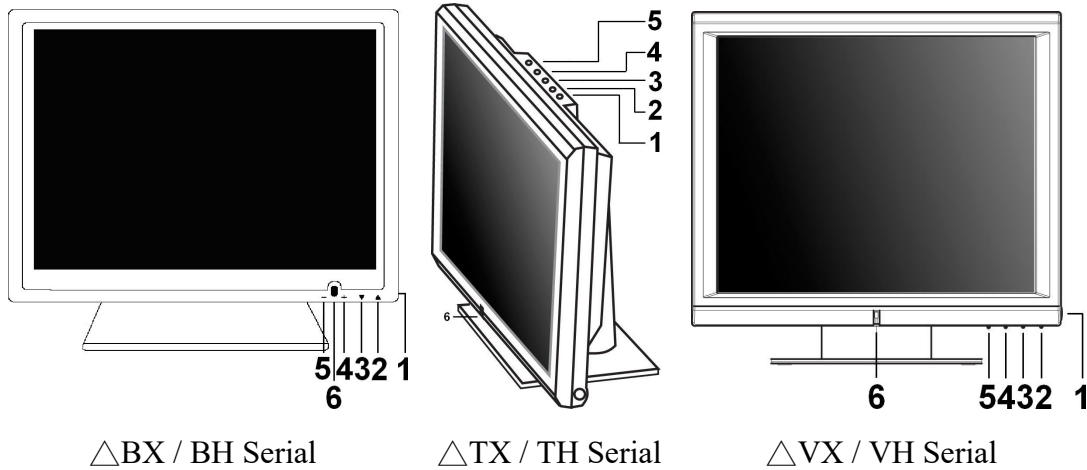
- High contrast color TFT LCD display support resolution up to XGA (15" model) and SXGA 1280 x 1024 (17" & 19" model).
- Compatible with IBM VGA,DVI, VESA standards.
- Imbedded audio system provides sound performance.
- Power management system conforms to VESA DPMS standard.
- Universal power adapter.
- Support DDC1/2B for Plug & Play compatibility.
- Advanced OSD control for picture quality adjustment.
- Support VESA standard mounting holes for wall mount or ARM mounting application.
- Touch screen system (Optional)
- Digital interface (Optional)
- The aluminum stand base tilt down -5°~ tilt up +90°

◆ **Package Contents**

- 15" / 17" / 19" TFT liquid crystal monitor
- D-sub 15 pin signal cable for analog input
- DVI 24 pin signal cable for digital input (Optional)
- RS232 / USB cable for touch screen function (option).
- RCA / S-Video signal cable for video-in function (option).
- Audio cable (Optional)
- Power adapter / AC power cord (Optional)
- Touch screen CD driver (Optional)
- 4 pieces M4x10mm washer screws (Optional)
- User's manual

7. Monitor Controls

7-1. Key Function



1. **Power Switch** Pressing this button turns the display system power **on** or **off**.
2. **Menu/Select** “▲” Pressing this button opens the OSD menu on the screen, and is used to select (“Up” direction) the OSD control options on the screen.
3. **Select** “▼” This button is used to select (“Down” direction) the OSD control options on the screen.
4. “+” This button is used to increase the value of the selected OSD control option.
5. “-” This button is used to decrease the value of the selected OSD control option.
6. Power LED **on** or **off**.

7-2. Quick Adjustment Function

When the OSD Menu is not active, the following functions are available for the quick adjustment.

- Pressing “▲” button once pops up the OSD Function Main Menu .
- Pressing “▼” button once pops up the small Brightness icon. Use “+” or “-” button to adjust the Brightness level.
- Pressing “+” button once pops up the small Volume icon. Use “+” or “-” button to adjust the Volume level.
- Pressing “-” button once pops up the small Input Select icon. Press “-” button again to switch to the digital interface. (Only for the model with digital input)
- Pressing “+” button once and then press both “+” and “-” buttons at one time, the audio will be mute .Pressing “+” button again, the audio come back .

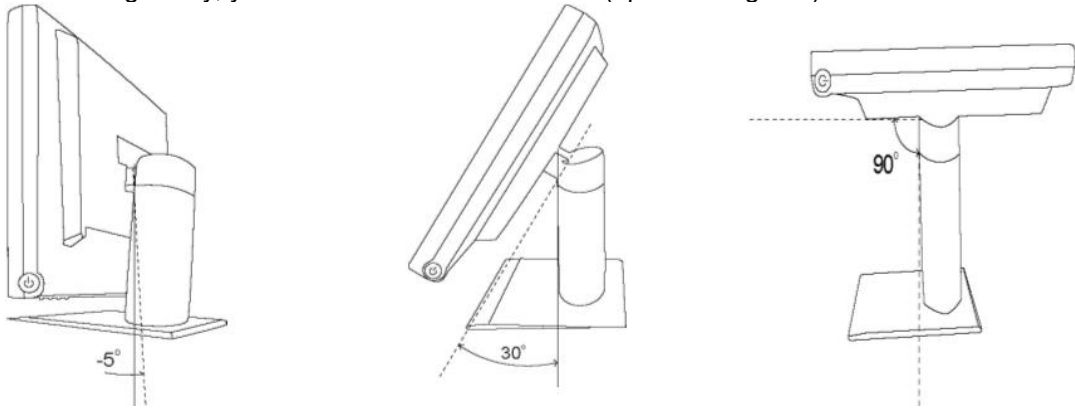
Note:

Key lock function : Press “▼” button and then press Power switch together to freeze all function keys. Press “▼” button and then press Power switch together again to unlock the keys.

7-3. Display Angle

Tilting

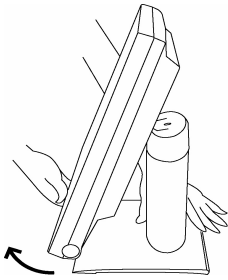
For viewing clarity, you can tilt the LCD backward . (up to 90 degrees).



CAUTION : In order to protect the LCD, be sure to hold the base whenever you adjust it.

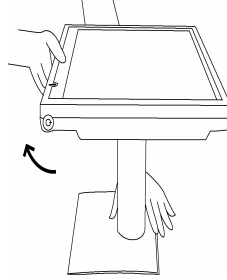
7-4. Stand setting up

Step 1

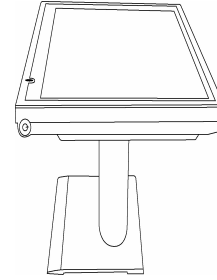


Hold the stand tight and pull monitor out upward.

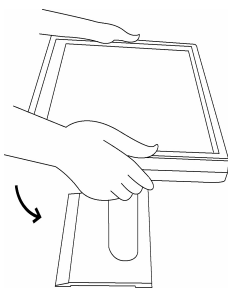
Step 2



Step 3

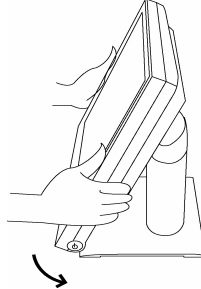


Step 4

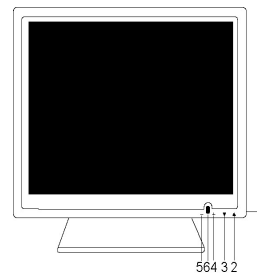


Continuing step , then out down the entire monitor downward.

Step 5



Step 6



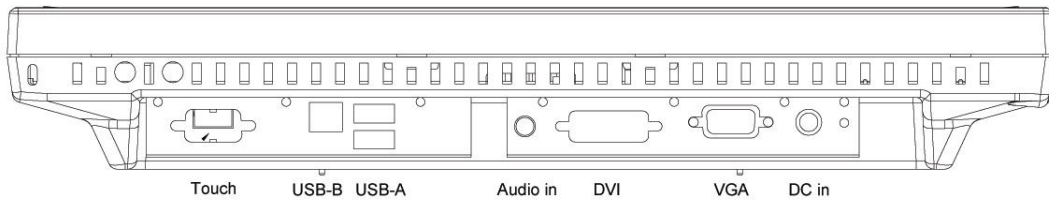
Place the monitor in an upright position.

WARNING : DO NOT USE falls short of the specifications of screw for VESA mounting. Strongly recommend use the 4 screws we provided.

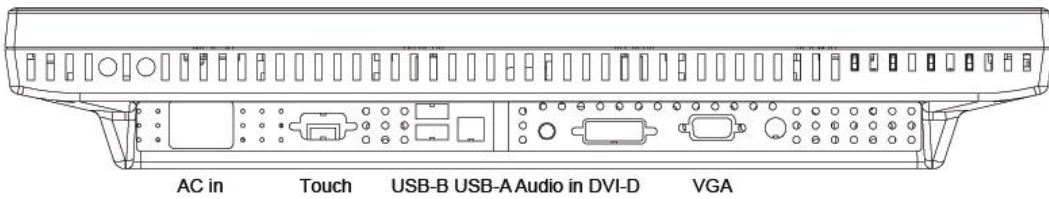
7-5 I/O Port

◆ Standard Model:

15"

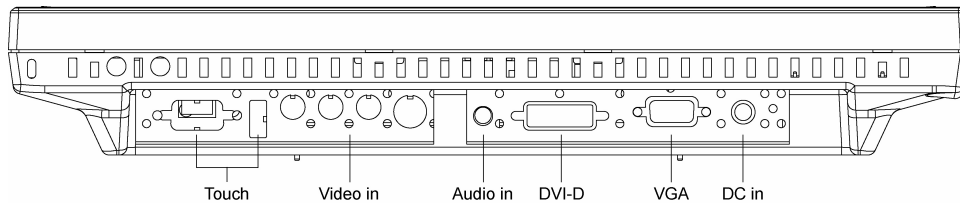


17" / 19"

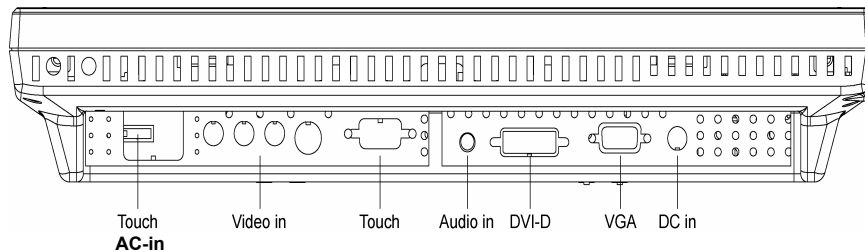


◆ Touch / Video-in Model:

15"



17" / 19"



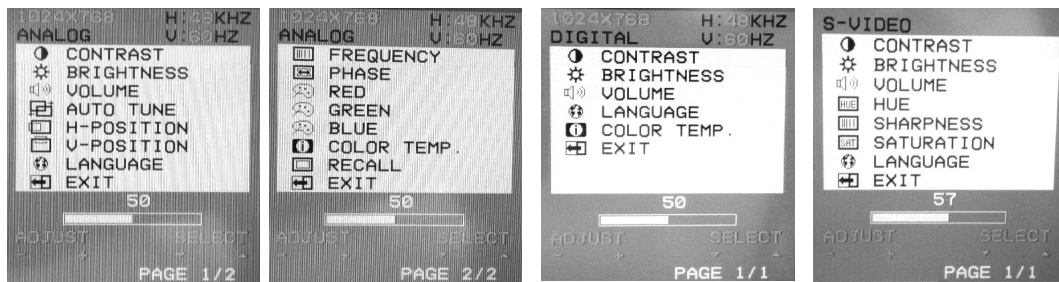
WARNING Be sure to hold the connector instead of the wire when you disconnect the cord/cable.

7-6. OSD Control options

Pressing “-” button once opens the small **Input Select** icon.

PC ANALOG
PC DIGITAL (Optional)
VIDEO (Optional)
S-VIDEO (Optional)
EXIT

8. Screen Adjustment



PC Analog Mode

PC Digital Mode

S-Video/Video Mode

- **CONTRAST**
Adjust the contrast using “+” and “-” buttons.
- **BRIGHTNESS**
Adjust the brightness using “+” and “-” buttons.
- **VOLUME**
Adjust the speaker volume using “+” and “-” buttons.
- **AUTO TUNE**
Press “+” or “-” buttons to make LCD monitor adjust the related parameters automatically for optimal display status.
- **H - POSITION**
Pressing “+” moves the display image to the right; Pressing “-” moves the display image to the left.
- **V - POSITION**
Pressing “+” moves the display image upward; Pressing “-” moves the display image downward.
- **LANGUAGE**
This item is used to select OSD languages.
- **FREQUENCY**
This item is used to decrease the vertical interference.
 1. Select one display pattern from your computer.
 2. Use “+” and “-” buttons on the LCD monitor to decrease the vertical interference to get the optimal display.
- **PHASE**
This item is used to decrease the horizontal interference.
 1. Select one display pattern from your computer.
 2. Use “+” and “-” buttons on the LCD monitor to decrease the horizontal interference to get the optimal display.

- **RED / GREEN / BLUE**
Adjust the value of color gain (Red, Green, Blue) using “+” and “-” buttons.
- **COLOR TEMP.**
This section is for “Color Temperature” adjustment. You can select the Warm, Cool, or Normal in this section, and then press “+” and “-” buttons to set up. The color temperature will be recalled as factory preset value.
- **RECALL**
Press “+” or “-” buttons to recall factory preset values.
- **HUE (For the model with Video input only)**
Adjust the video image hue using + or - buttons to set up.
- **SHARPNESS (For the model with Video input only)**
Adjust the sharpness using + or - buttons to set up.
- **SATURATION (For the model with Video input only)**
Adjust the video image color saturation using + or - buttons to set up.

9. Touch installation

◆ **Installing Touch Screen Controller Driver**

To install the driver of the touch screen controller to your computer, please follow the steps below:

1. Insert the CD-ROM in your computer's CD-ROM drive.
2. If autorun is enabled, the setup program appears automatically. If autorun is disabled, run setup.exe from the root directory of CD.
3. Follow the directions on the screen to complete the installation.
4. After finishing the installing, restart the computer as instructed.

◆ **Uninstalling Touch Screen Controller Driver**

To uninstall the driver of the touch screen controller from your computer, please follow the steps below:

1. Click the Start button, click Control Panel, and then click Add/Remove Programs.
2. Select Touch Screen Controller Driver from the list of uninstallable programs on the Install/Uninstall tab.
3. Click the Add/Remove button then follow the directions on your screen.
4. After finishing the uninstalling, restart the computer as instructed.

10. Power Management

General Power Saving Mode

Mode	Power LED Color	Power Consumption			
On	Green	Monitor	Monitor+ Touch	Monitor+Video +Touch	48W (max.)
Stand by	Orange	2W	2W	4W	
Suspend	Orange	2W	2W	4W	
Off	Orange	2W	2W	4W	

* We recommend to switch off the monitor when it is not use for quite a long time.

11. Trouble shooting

The monitor does not respond after you turn on the system.

- Check if the **Power Switch** of monitor is turned **on** .
- Turn off the power and check the monitor's power cord and signal cable for proper connection.

The characters on the screen are dim.

- Refer to the Controls and Adjustments section to adjust the brightness.

The screen is blank.

- During operation, the monitor screen may automatically turn off as a result of Power Saving feature. Press any key to see if the screen comes back.
- Refer to the Controls and Adjustments section to adjust the brightness.

The screen flashes when it's initialized.

- Turn off the monitor and turn it on again.

◆ **Cleaning**

- Gently wipe the screen with a clean camel hair lens brush, or a soft, clean, lint-free cloth. This removes dust and other particles that can scratch the screen.
- Do not apply pressure to the screen surface when wiping it clean.
- Do not pour or spray any liquid directly onto the screen or case of the LCD monitor. Chemical cleaners have been reported to damage the screen or case of the LCD monitor.

WARNING : Do not disassemble the monitor. Contact your dealer if needed.

12. Display Modes

Display Size	Resolution	Type	H. Scan(KHz)	V. Scan(Hz)	Pixel(MHz)
15" 17" 19"	640X350	VGA	31.47	70.09	25.18
	640X400	VGA	24.83	56.42	21.05
	720X400	VGA	31.47	70.09	28.32
	640X480	VGA	31.47	59.94	25.18
	640X480	VGA	37.86	72.81	31.50
	640X480	VGA	37.50	75.00	31.50
	640X480	VGA	35.00	66.67	30.24
	800X600	SVGA	37.88	60.32	40.00
	800X600	SVGA	35.16	56.25	36.00
	800X600	SVGA	48.08	72.19	50.00
	800X600	SVGA	46.88	75.00	49.50
	1024 X 512		34.39	60.00	46.77
	1024X768	XGA	48.36	60.00	65.00
	1024X768	XGA	56.48	70.00	75.00
	1024X768	XGA	60.02	75.00	78.75
17" 19"	1152X864	SXGA	67.50	75.00	108.00
	1280X960	SXGA	60.00	60.00	108.00
	1280X1024	SXGA	79.98	75.00	135.00
	1280X1024	SXGA	64.00	60.00	108.00

13. Specification

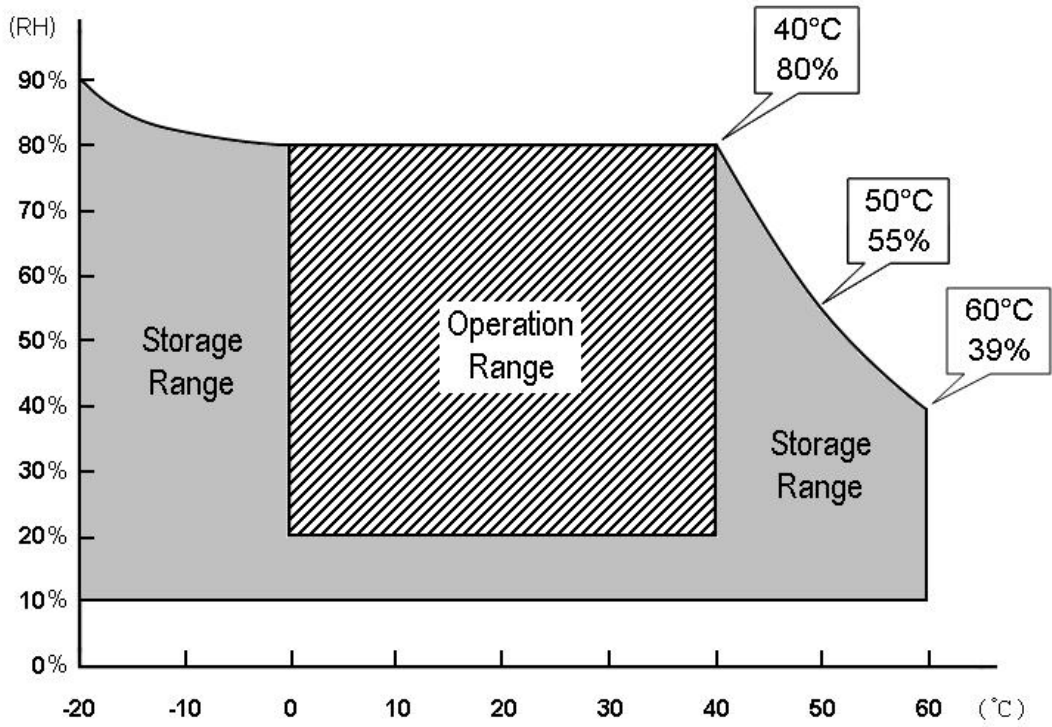
LCD Display		15" / 17" / 19" TFT Active Matrix Panel
Panel Display Size	15"	304.1(H) x 228.1 (V) mm
	17"	337.9 (H)×270.3 (V) mm
	19"	376.3(H)×301.05(V) mm
Panel Pixel Pitch	15"	0.297(H) x 0.297 (V) mm
	17"	0.264(H) x 0.264 (V) mm
	19"	0.294(H) x 0.294(V) mm
Panel Max. Resolution	15"	XGA 1024 x 768
	17"	SXGA 1280 x 1024
	19"	SXGA 1280 x 1024
Panel Contrast Ratio	15"	700 : 1(typical)
	17"	800 : 1(typical)
	19"	800 : 1(typical)
Panel Brightness	15"	250 Cd/m ² (typical)
	17"	300 Cd/m ² (typical)
	19"	300 Cd/m ² (typical)
Panel Response Time	15"	8 ms (typical)
	17"	5 ms (typical)
	19"	5 ms (typical)
Panel Display Color	15"	16.2M (typical)
	17"	16.7M (typical)
	19"	16.7M (typical)
Panel Viewing Angle	15"	140° (L/R), 125° (U/D) (typical)
	17"	160° (L/R), 160° (U/D) (typical)
	19"	160° (L/R), 160° (U/D) (typical)
Input Signal	Video	R.G.B. Analog 0.7V _{peak-peak}
	Sync	TTL Positive or Negative
Signal Connector	Analog	15 Pin D-Sub
	Digital (Option)	24 -pin DVI-D
Plug & Play		DDC1 / 2B Compatible
Audio System		1W / Per Channel

USB HUB (Option)		1 Upstream Port, 2 Downstream Ports	
Touch Screen (Option)		USB A Type or RS232 or Combo	
Video system (Option)		RCA, S-Video	
Power	15" Power Adapter	Input AC 100~240Vac, 50~60Hz, Output DC 12V / 3A (min) . Marked with "LPS (Limited Power Source)" Power Adapter.	
	17"	Power Adapter	Input AC 100~240Vac, 50~60Hz, Output DC 12V / 4A. Marked with "LPS (Limited Power Source)" Power Adapter.
		Internal Power	Universal 100 ~ 240Vac, 50~60Hz, 1.5A AC input
	19"	Power Adapter	Input AC 100~240Vac, 50~60Hz, Output DC 12V / 4A. Marked with "LPS (Limited Power Source)" Power Adapter.
		Internal Power	Universal 100 ~ 240Vac, 50~60Hz, 1.5A AC input
Operating Conditions	Temperature	0°C ~ 40°C (32°F ~ 104°F) [Note]	
	Humidity	20% ~ 80% (no condensation) [Note]	
	Altitude	To 10,000 Feet	
Storage Conditions	Temperature	-20°C ~ 60°C (-4°F ~ 140°F) [Note]	
	Humidity	10% ~ 90% (no condensation) [Note]	
Stand		Tilt down : -5° ~ Tilt up : +90°	
Monitor Dimensions (W x H x D)	15"	351 x 314.5 x 140 mm	
	17"	392 x 381.5 x 180 mm	
	19"	438 x 417.5 x 180 mm	
Carton Dimensions (W x H x D)	15"	438 x 460 x 214 mm	
	17"	452 x 461 x 228 mm	
	19"	530 x 500 x 230 mm	
Monitor and Stand Weight (Net)	15"	4.5 Kg	
	17"	5 Kg	
	19"	7 Kg	
Total Weight	15"	5.2 Kg	
	17"	7 Kg	
	19"	9.1 Kg	
Certifications		UL ,C-UL ,FCC ,CE	
Waterproof & dustproof level		IP54 (Front panel optional)	

- Specifications are subject to change without notice.

[Note]

For quality performance. Please refer the graph below for the corresponding of temperature and humidity.



目录

1. 注意事项	23
2. VESA架置	24
2-1. 15寸液晶显示器VESA架置	24
2-2. 17/19寸液晶显示器VESA架置	25
3. 联邦通讯委员会(FCC)无线电频率国际陈述	26
4. 中国 RoHS	27
5. 包装内容物	28
6. 显示器控制	29
6-1. OSD 控制按键	29
6-2. 快速调整功能	29
6-3. I/O Port	30
7. OSD 控制选项	31
8. 触控屏幕安装	33
9. 电源管理	34
10. 疑难排解	35
11. 显示模式	36
12. 规格	37

1. 注意事项

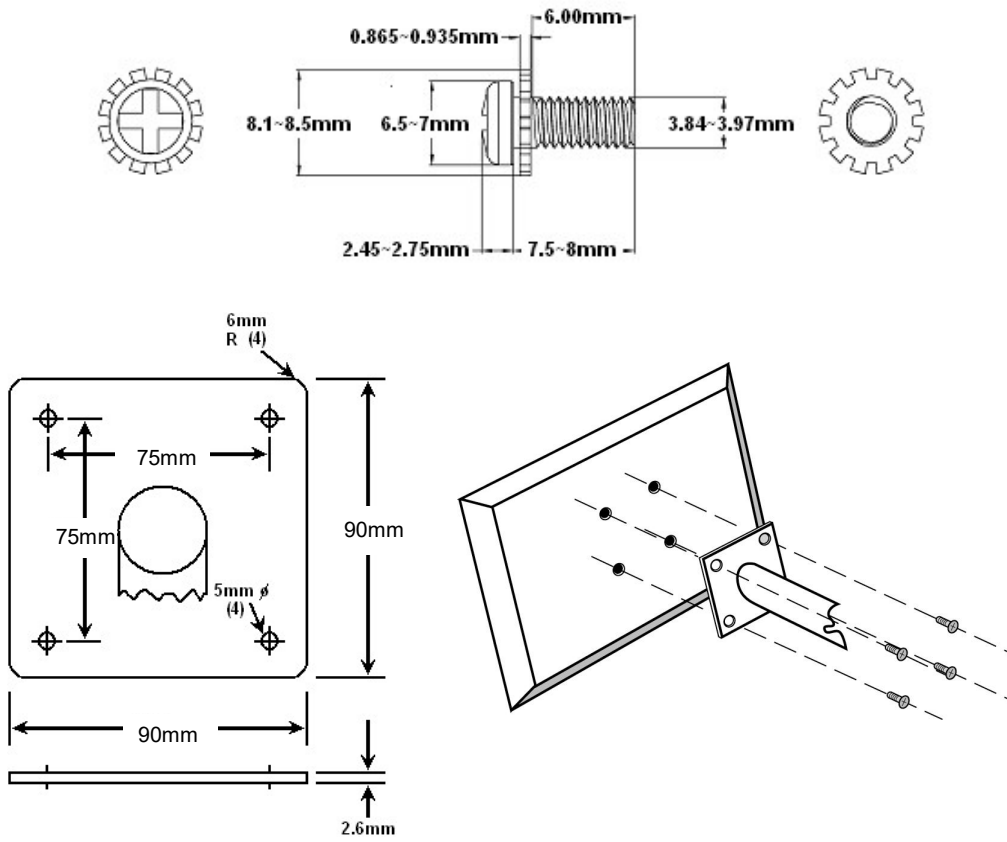
- 请阅读以下指示，并保存好以备未来使用之需。
- 请遵守本产品的所有警告与指示事项。
- 产品
 - 请勿盖住或封阻机壳上的通风口。
 - 请勿将尖锐的物体透过机壳开口插入机内，或将液体泼洒进LCD屏幕中。这可能会导致意外的火灾、电击或故障。
 - 如果您不确定将有多长时间不使用本设备，请将电源插头从AC插座上拔下。
 - 请勿尝试自行维修本机，因为开启或卸除机盖都可能会使您暴露于危险的电压或其它危险情况之下。
 - 请勿对屏幕施予重压。LCD非常脆弱。
 - 请勿使用尖锐或坚硬的物体点击液晶屏幕或触控屏幕。
- 电源变压器
 - AC 输入 100~240Vac, 50~60Hz, DC 输出 12V / 3A (最小).
 - 请使用此种类型的电源变压器，它是由生产商针对安全电源的目的所提供的。贴有LPS标示的电源变压器。
- 插头
 - 请勿拔下显示器三针电源插头的任何一个针。
 - 在以下情况下，请将电源插头从AC插座上拔下来：
 - ◆ 如果您不确定将有多久时间不使用时。
 - ◆ 当电源线或插头损坏或磨损时。
 - ◆ 如果在遵守操作指示的情况下，而产品无法正常操作时。请只调整操作指示中所提到的控件目。错误调整其它控件将会导致损坏，并且可能需要合格技师花费更多的心力来使产品恢复正常操作状态。
 - ◆ 如果产品摔落地面或机壳损坏时。
 - ◆ 如果产品在效能上出现明显改变，而表示需要维修时。
- 电源与延长线
 - 请勿将任何物品放置于电源在线。
 - 请勿将本产品放置于可能会有人踩踏电线的位置。
 - 请使用含有正确连接插头类型的电源线。如果电源为120 V AC，请使用通过UL与C-UL许可的电源线。如果电源为240 V AC，请使用具有接地导电电源线串接片（T接片）且符合相关欧洲国家安全法规（例如德国的VDE）的电源插头。
 - 请勿使墙上插座或电源线电力过载。请确保所有插到墙壁插座上的设备总电流不超过10安培。
 - 请确保所有插到墙壁插座上的设备总额定电流不超过电线的额定电流。
 - 如果您要将显示器随附的电源线插到PC上，而不插到墙壁插座上，本设备必须使用UL/TÜV许可的240V AC、2.0A（最低）的计算机。
- 环境
 - 请将显示器放置在水平的平面上。
 - 请将显示器放置于通风良好地点。
 - 请使显示器远离以下地点：过热、过冷或过湿的地点、受到阳光直射的地点、灰尘过多的地点、会产生强烈电磁场的设备附近。
 - 请勿在有易燃物质环境使用。
 - 为避免起火或触电，请勿将显示器暴露在下雨或潮湿的环境中。

2. VESA架置

- 安装VESA 架置, 请只使用UL列出的墙壁托架。VESA安装孔螺丝如下:

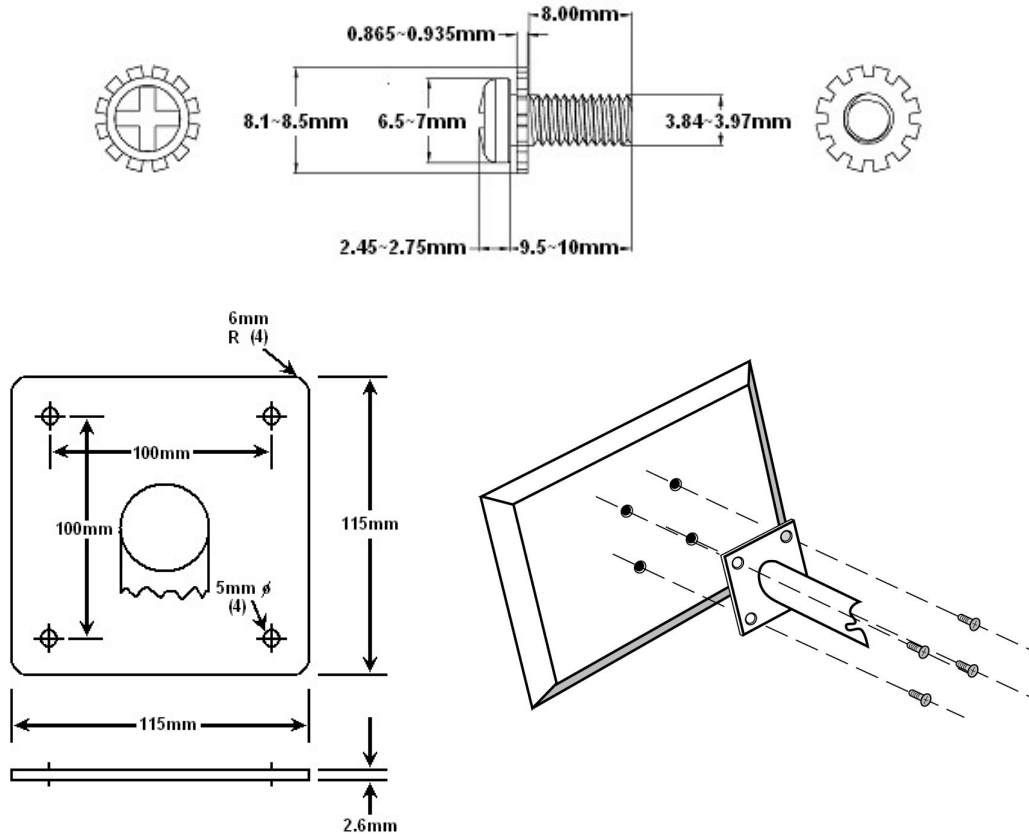
2-1. 15寸液晶显示器VESA架置

SCREW M4L8 ,EGW,PAN(+),NI



2-2. 17/19寸液晶显示器VESA架置

SCREW M4L10,EGW,PAN(+),NI



3. 联邦通讯委员会(FCC)无线电频率国际陈述

本设备经测试证明符合FCC规章第15条有关B级数位装置之限制。这些限制的设计目的是为了为居家环境的有害干扰提供合理之保护。本设备会产生、使用及放射无线电频率能源，如果未依指示安装，将会导致对于无线电通讯之有害干扰。但是，即使在特定的安装方式之下，我们也不保证干扰情形不会发生。如果本设备确实造成对于广播或电视接收的有害干扰（您可以藉由开关本设备而测知），我们鼓励使用者尝试以下一或多种方法来改善干扰的情形：

- 更改接收天线的方向或位置。
- 增加设备与接收天线之间的距离。
- 将本设备连接到与接收天线所连接的电路不同的插座上。
- 向有经验的广播/电视技术人员寻求协助。

本装置符合FCC规章第15条之规定。操作必须符合以下两项条件：

- (1) 本装置不可导致有害之干扰
- (2) 本装置必须接受所收到的干扰，包括可能导致意外操作之干扰。

注意：

本设备禁止使用未裹皮接口。

如有必要，使用者应向经销商或有经验的广播/电视技术人员寻求更进一步的建议。联邦通讯委员会提供以下小册子，也许对您有所帮助。这本小册子由美国政府公共宣传部提供，地址为U.S. Government Printing Office Washington DC, 20402。品号为004-000-00345-4。

制造商不对因未授权修改本设备所导致的任何广播或电视干扰情形负责。使用者必须负责更正这种干扰情形。

小心：为了符合FCC对于B级计算机装置的限制，必须使用裹皮缆线。

加拿大通讯部一致性陈述

本数字设备未超过「加拿大通讯部」所订定之「无线电干扰规定」中有关B级数位设备放射无线电噪声之限制。在居家地区操作可能会对广播及电视讯号接收产生无法接受的干扰情形，而需要拥有者或操作者采取必要措施来更正干扰情形。

4. 中国 RoHS

根据中国《电子信息产品污染控制管理办法》，也称为中国RoHS。

本产品环保使用期限为10年,在正常使用的条件下,不会发生外泄或突变,使用该电子信息产品不会对环境造成严重污染或对其人身财产造成严重损害. 以下列出产品中可能包含的有毒或有害物质的名称.



部件名称	有毒有害物质或元素					
	镉 (Cd)	汞 (Hg)	铅 (Pb)	六价铬(Cr6+)	多溴联苯 (PBB)	多溴二苯醚 (PBDE)
电线电缆组件	○	○	○	○	○	○
塑胶部件	○	○	○	○	○	○
金属部件	○	○	○	○	○	○
电路模组	○	○	✕	○	○	○
液晶面板	○	✕	✕	○	○	○
触控模组	○	○	✕	○	○	○

“○”: 表示该有毒有害物质在该部件所有均质材料中的含量均在SJ/T 11363-2006规定的限量要求以下.

“✕”: 表示该有毒有害物质至少在该部件的某一均质材料中的含量超出SJ/T 11363-2006规定的限量要求. 对于有显示✕的情况, 我们按照欧洲RoHS采用了容许的豁免指标.

本公司鼓励并建议客户将本产品依据所在地的相关法令, 进行回收及再利用, 切勿随意与一般垃圾丢弃.

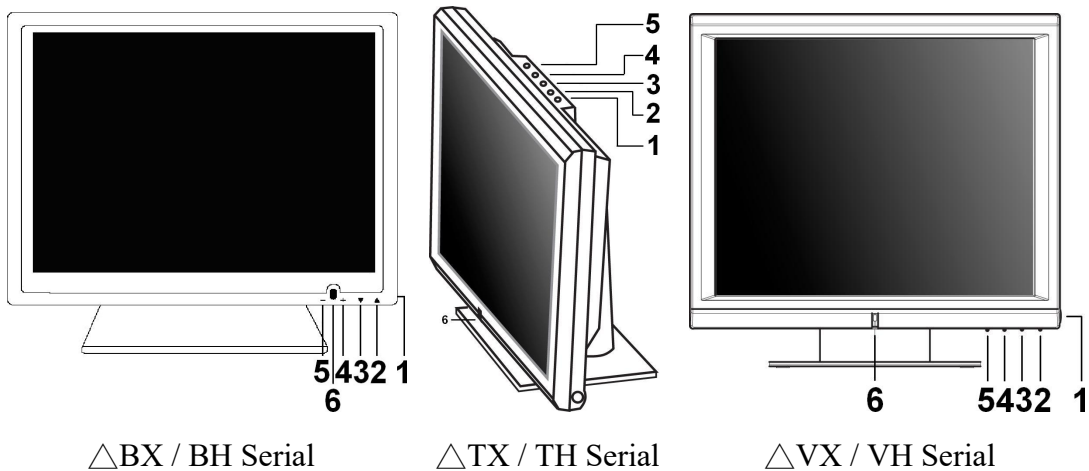
5. 包装内容物

- 15" / 17" / 19" TFT液晶显示器。
- D-sub 15针模拟输入讯号缆线。
- DVI 24 针数字输入讯号缆线（选件）。
- 声音缆线。
- RS232 / USB 触控缆线（选件）。
- RCA / S 视频线。
- 电源变压器 / 电源线。
- 触控式屏幕光盘驱动程序。
- 使用者手册。
- M4 x 10 毫米VESA 架置螺丝 x 4（选件）。

6. 显示器控制

6-1. OSD 控制按键

1. **电源开关** 按这个按钮可以打开和关闭系统电源。按着电源开关3秒关闭显示器。
2. “▲” 按这个按钮可以打开屏幕上的 OSD 菜单，并且可以用来在屏幕上选择（向上方向）OSD 控制选项。
3. “▼” 这个按钮可以用来屏幕上选择（向下方向）OSD 控制选项。
4. “+” 这个按钮可以用来增加所选 OSD 控制选项的值。
5. “-” 这个按钮可以用来减小所选 OSD 控制选项的值。
6. 电源指示灯开关。



6-2. 快速调整功能

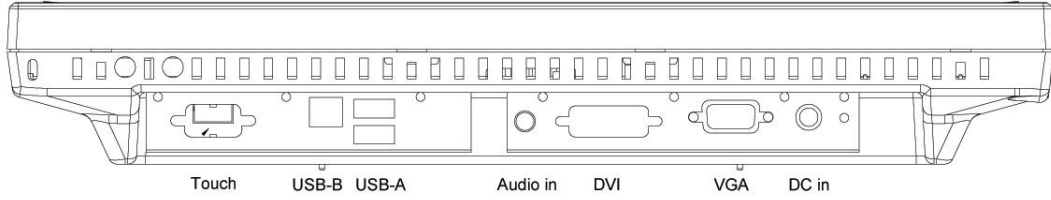
在 OSD 菜单没有显示时，可以使用以下功能来做快速调整。

- 按一下“▲”按钮会弹出 OSD 功能主菜单。
- 按一下“▼”按钮会弹出亮度小图标。使用 + 或 - 按钮可以调整亮度。
- 按一下“+”按钮会弹出音量小图标。使用 + 或 - 按钮可以调整音量。
- 按一下“-”按钮会弹出输入选择小图标。
- 按一下“-”按钮执行自动调整。(仅限模拟输入型号)。
- 按一下“-”按钮可以切换回数字接口(仅限数字输入型号)。
- 按一下“-”按钮可以切换输入来源选择(仅限视频输入型号)。
- 按一下“+”按钮，再同时按“+”和“-”按钮会静音。再按一下“+”按钮可以恢复声音。

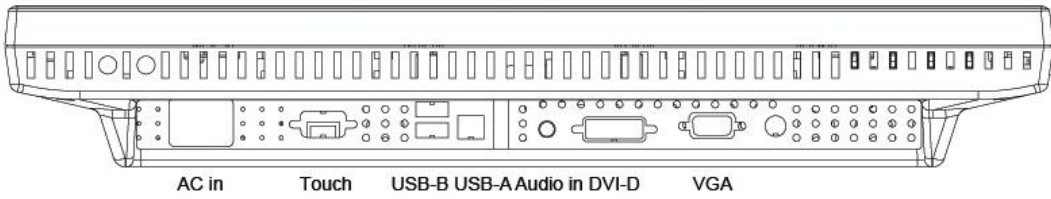
注意：按键锁功能：按一下“▼”按钮然后再一并按电源开关可以锁定所有功能键。按电源开关，再一次一并按“▼”按钮可以解锁功能键。

6-3. I/O Port

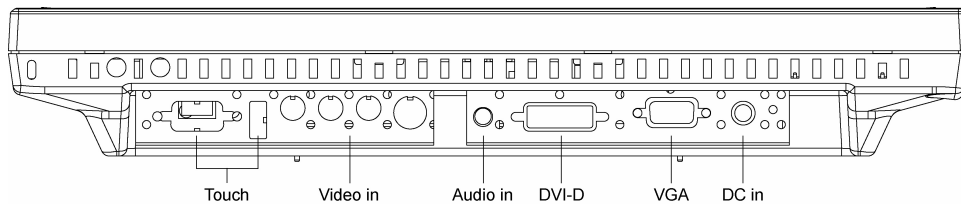
◆标准型号:
15"



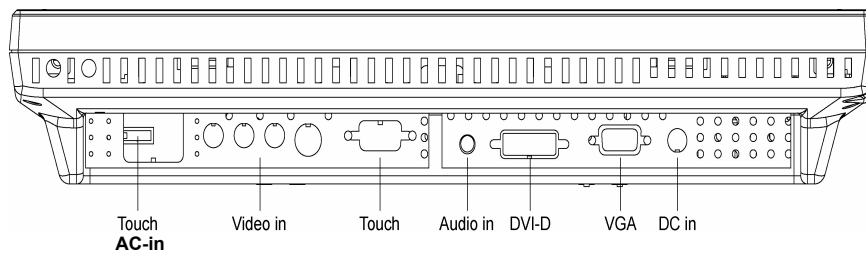
17" / 19"



◆触控 / 视频输入型号:
15"

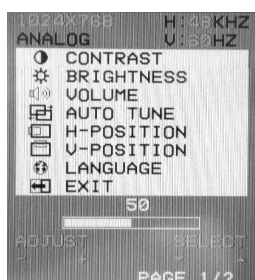


17" / 19"

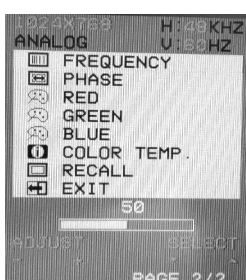


警告 在断开电源线/缆线时，一定要抓住插头部分，而不是电线部分。

7. OSD 控制选项



OSD 菜单 - 模拟



OSD 菜单 - 数字



OSD 菜单 - S-视频 / 视频

- **CONTRAST (对比度)**
使用“+”和“-”按钮调整对比度。
- **BRIGHTNESS (亮度)**
使用“+”和“-”按钮调整亮度。
- **VOLUME (音量) (可选模块)**
使用“+”和“-”按钮调整扬声器音量。
- **AUTO TUNE (自动调谐)**
按“+”或“-”按钮让液晶显示器自动调整相关参数以取得最佳显示状态。
- **H - POSITION (水平位置)**
按“+”右移显示图像，按“-”左移显示图像。
- **V - POSITION (垂直位置)**
按“+”上移显示图像，按“-”下移显示图像。
- **LANGUAGE (语言)**
此项用来选择 OSD 语言。
- **FREQUENCY (频率)**
此项用来减小垂直干扰。
 1. 从计算机中选择一个显示图案。
 2. 使用液晶显示器上的“+”和“-”按钮减小垂直干扰最取得最佳显示效果。
 - 3.
- **PHASE (相位)**
此项用来减小水平干扰。
 1. 从计算机中选择一个显示图案。
 2. 使用液晶显示器上的“+”和“-”按钮减小水平干扰最取得最佳显示效果。
- **RED / GREEN / BLUE (红绿蓝)**
使用“+”和“-”按钮调整颜色增益值（红绿蓝）。

- **COLOR TEMP (色温)**
此部分用于色温调整。您可以选择暖、冷或正常，然后按“+”和“-”按钮进行设置。色温会被恢复出厂默认值。
- **RECALL (恢复出厂值)**
按“+”或“-”按钮可以恢复所有出厂默认值。
- **HUE (色度)** (仅限于带视频输入功能的型号)
使用“+”或“-”按钮调整视频图像色度。
- **SHARPNESS (清晰度)** (仅限于带视频输入功能的型号)
使用“+”或“-”按钮调整清晰度。
- **SATURATION (饱和度)** (仅限于带视频输入功能的型号)
使用“+”或“-”按钮调整视频图像饱和度。

8. 触控屏幕安装

◆ 安装触控屏幕驱动程序

请依照以下步骤完成所有的驱动程序安装:

1. 将驱动程序安装光盘片放入 CD ROM 中。
2. 光盘片中的驱动程序安装程序会自动出现。如果安装程序没有出现，请直接执行光盘片中的 **setup.exe** 程序。
3. 请依照安装程序的指示完成所有的驱动程序安装步骤。
4. 当驱动程序安装完毕后，请重新开启计算机。

◆ 移除触控屏幕驱动程序

请依照以下步骤移除所有的驱动程序安装:

1. 请依序按一下[开始]，[控制台]及[新增或移除程序]。
2. 选择要变更或移除的触控屏幕驱动程序。
3. 按一下[变更/移除] 或 [移除]按钮，依照移除安装步骤移除所有的驱动程序。
4. 当驱动程序移除完毕后，请重新开启计算机。

9. 电源管理

一般省电模式

模式	电源指示灯颜色	电源消耗				
		显示器	显示器+ 触控功能	显示器+USB+触 控功能	显示器+视频+ 触控功能	48W (最大)
开启	绿色					
待机	橙色	2W (最大)	2W (最大)	4W (最大)	4W (最大)	
暂停	橙色	2W (最大)	2W (最大)	4W (最大)	4W (最大)	
关闭	橙色	2W (最大)	2W (最大)	4W (最大)	4W (最大)	

- 我们建议您，当将会长时间不使用显示器时，请关闭显示器电源。

警告 不要拆解显示器。如有需要，请联系经销商。

10. 疑难排解

开启系统电源之后，显示器没有反应。

- 请检查显示器的电源开关是否已经开启。
- 关闭电源后，检查显示器的电源线及讯号缆线是否正确连接。

屏幕上的字符显示偏暗。

- 请参考*控制与调整*的说明来调整亮度。

屏幕无法显示。

- 在操作过程中，显示器屏幕会因为使用「省电功能」而自动关闭。请按下任何按键来看屏幕是否可以恢复显示。
- 请参考*控制与调整*的说明来调整亮度。

启始屏幕时，屏幕会闪烁。

- 请关闭屏幕电源，然后再开启一次。

◆ 清洁

- 请使用骆驼毛镜头清洁刷或干净、无线头的软布来轻擦屏幕。这将可以去除可能刮伤屏幕表面的灰尘及其它粒子。
- 擦式屏幕时，请勿对屏幕表面施予重力。
- 请勿在屏幕上或LCD屏幕机壳上直接倒洒或喷洒任何液体。已有报导指出，化学清洁剂会损坏屏幕或LCD屏幕机壳。

<p>警告 为避免图像黏附或任何其它不良现象发生, 强烈建议每8小时关闭液晶显示器电源几分钟再开启。</p>

11. 显示模式

显示器尺寸	分辨率	类型	水平扫描 (KHz)	垂直扫描 (Hz)	图素 (MHz)
15" 17" 19"	640X350	VGA	31.47	70.09	25.18
	640X400	VGA	24.83	56.42	21.05
	720X400	VGA	31.47	70.09	28.32
	640X480	VGA	31.47	59.94	25.18
	640X480	VGA	37.86	72.81	31.50
	640X480	VGA	37.50	75.00	31.50
	640X480	VGA	35.00	66.67	30.24
	800X600	SVGA	37.88	60.32	40.00
	800X600	SVGA	35.16	56.25	36.00
	800X600	SVGA	48.08	72.19	50.00
	800X600	SVGA	46.88	75.00	49.50
	1024 X 512		34.39	60.00	46.77
	1024X768	XGA	48.36	60.00	65.00
	1024X768	XGA	56.48	70.00	75.00
	1024X768	XGA	60.02	75.00	78.75
17" 19"	1152X864	SXGA	67.50	75.00	108.00
	1280X960	SXGA	60.00	60.00	108.00
	1280X1024	SXGA	79.98	75.00	135.00
	1280X1024	SXGA	64.00	60.00	108.00

12. 规格

液晶显示器		15" / 17" / 19" TFT主动矩阵面板
面板显示大小	15"	304.1(水平) x 228.1 (垂直) 公厘
	17"	337.9 (水平)×270.3 (垂直) 公厘
	19"	376.3(水平)×301.05(垂直) 公厘
面板图素点距	15"	0.297(水平) x 0.297 (垂直) 公厘
	17"	0.264(水平) x 0.264 (垂直) 公厘
	19"	0.294(水平) x 0.294(垂直) 公厘
面板最大分辨率	15"	XGA 1024 x 768
	17"	SXGA 1280 x 1024
	19"	SXGA 1280 x 1024
面板对比率	15"	700 : 1(典型)
	17"	800 : 1(典型)
	19"	800 : 1(典型)
面板亮度	15"	250 Cd/m ² (典型)
	17"	300 Cd/m ² (典型)
	19"	300 Cd/m ² (典型)
面板反应时间	15"	8 ms (典型)
	17"	5 ms (典型)
	19"	5 ms (典型)
面板显示色数	15"	16.2M (典型)
	17"	16.7M (典型)
	19"	16.7M (典型)
面板检视角度	15"	140° (L/R), 125° (U/D) (典型)
	17"	160° (L/R), 160° (U/D) (典型)
	19"	160° (L/R), 160° (U/D) (典型)
输入讯号	影像	R.G.B. 模拟0.7V _{peak-peak}
	同步	TTL 正或负
讯号接头	模拟	15 针 D-Sub
	数字 (选件)	24 针 DVI-D
随插即用		DDC1 / 2B 相容

声音系统		1W / 每声道
USB HUB 集线器(选件)		1 x 上传埠, 2 x 下传埠
触控屏幕 (选件)		USB A 类型 or RS232
视频输入(选件)		RCA , S 视频
电源	15" 电源变压器	AC 输入 100~240Vac, 50~60Hz, DC 输出 12V / 3A (最小), 贴有LPS标示的电源变压器
	17" 电源变压器	AC 输入 100~240Vac, 50~60Hz, DC 输出 12V / 4A, 贴有LPS标示的电源变压器
		内嵌电源
	19" 电源变压器	AC 输入 100~240Vac, 50~60Hz, DC 输出 12V / 4A, 贴有LPS标示的电源变压器
		内嵌电源
	操作条件	温度
湿度		20% ~ 80% (非凝结状态) [注释]
高度		至 10,000英尺
储存条件	温度	-20°C ~ 60°C (-4°F ~ 140°F) [注释]
	湿度	10% ~ 90% (非凝结状态) [注释]
基座		俯角 : -5° ~ 仰角 : +90°
显示器尺寸 (宽 x 高 x 厚)	15"	351 x 314.5 x 140 公厘
	17"	392 x 381.5 x 180 公厘
	19"	438 x 417.5 x 180 公厘
显示器包装尺寸 (宽 x 高 x 厚)	15"	458 x 440 x 216 公厘
	17"	455 x 456 x 228 公厘
	19"	528 x 490 x 228 公厘
显示器与基座重量 (净重)	15"	4.5 公斤
	17"	5 公斤
	19"	7 公斤
总重	15"	5.2 公斤
	17"	7 公斤
	19"	9.1 公斤
认证		UL, C-UL, FCC, CE IP54 (选件)

* 规格变更不另行通知

[注释]

为得到高性能质量，请参考下列温度和湿度的相应图。

